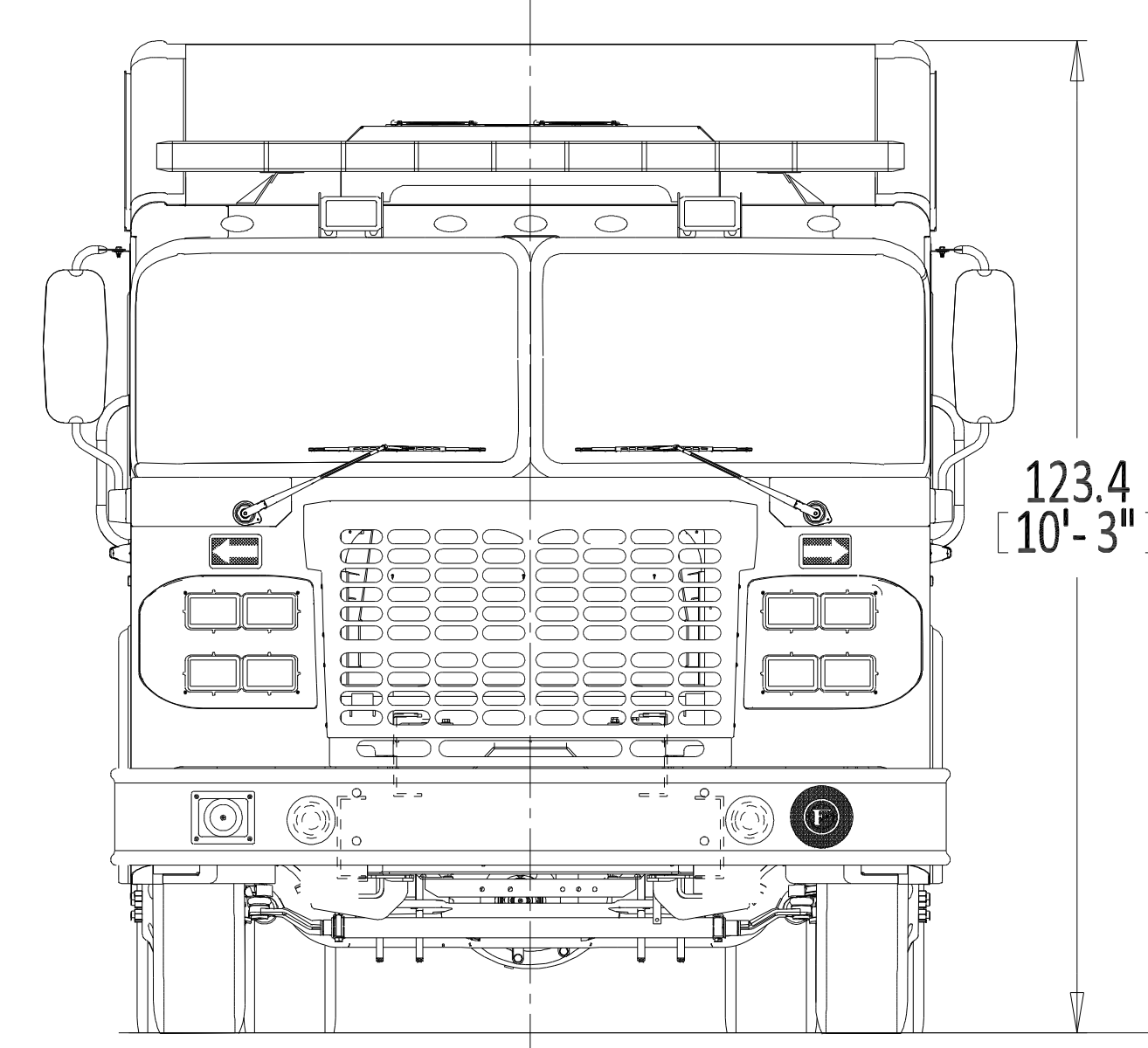
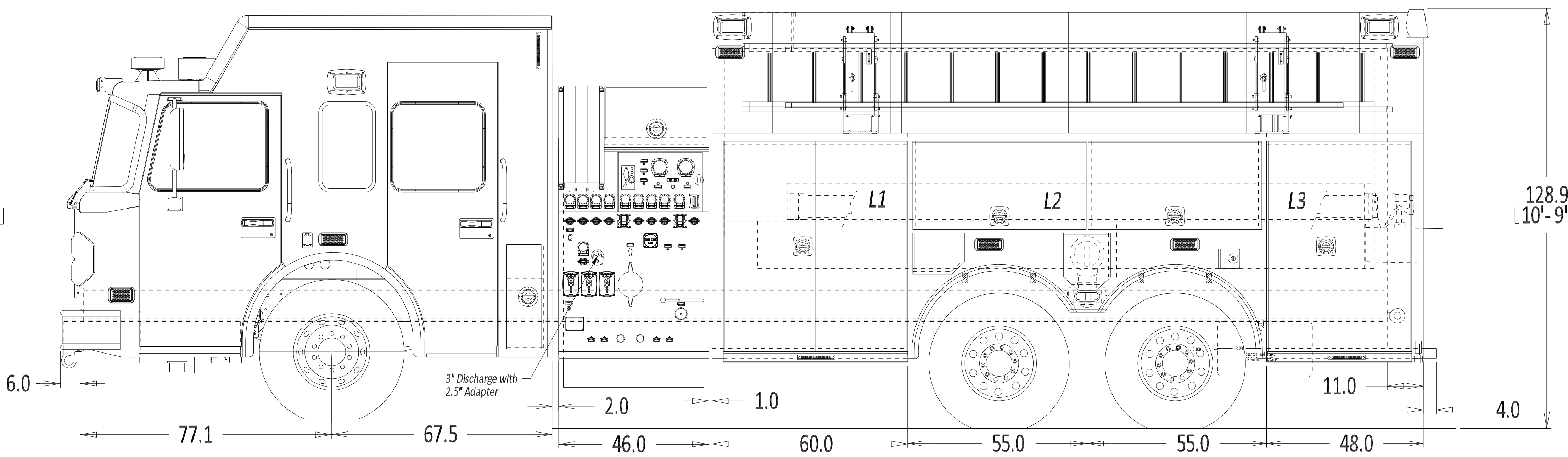


Approvals: Sales Rep. _____
 Dealer: _____
 Date: _____
 Fire Co. Rep. _____
 Title: _____
 Date: _____
 NOTES:



123.4
[10'-3"]



128.9
[10'-9"]

6.0

3" Discharge with 2.5" Adapter

2.0

1.0

11.0

4.0

77.1

67.5

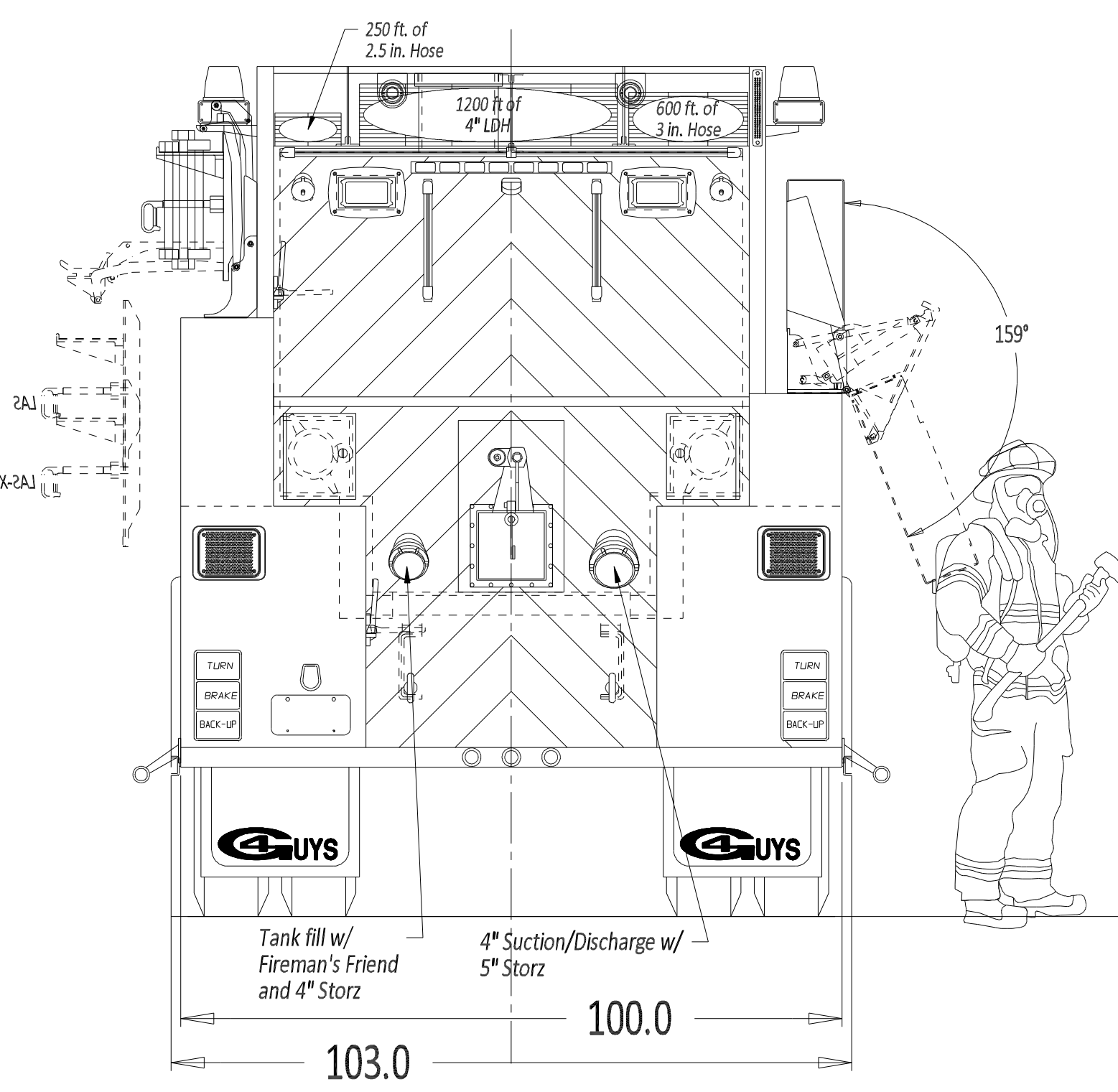
46.0

60.0

55.0

55.0

48.0



250 ft. of 2.5" Hose

1200 ft. of 4" LDH

600 ft. of 3" Hose

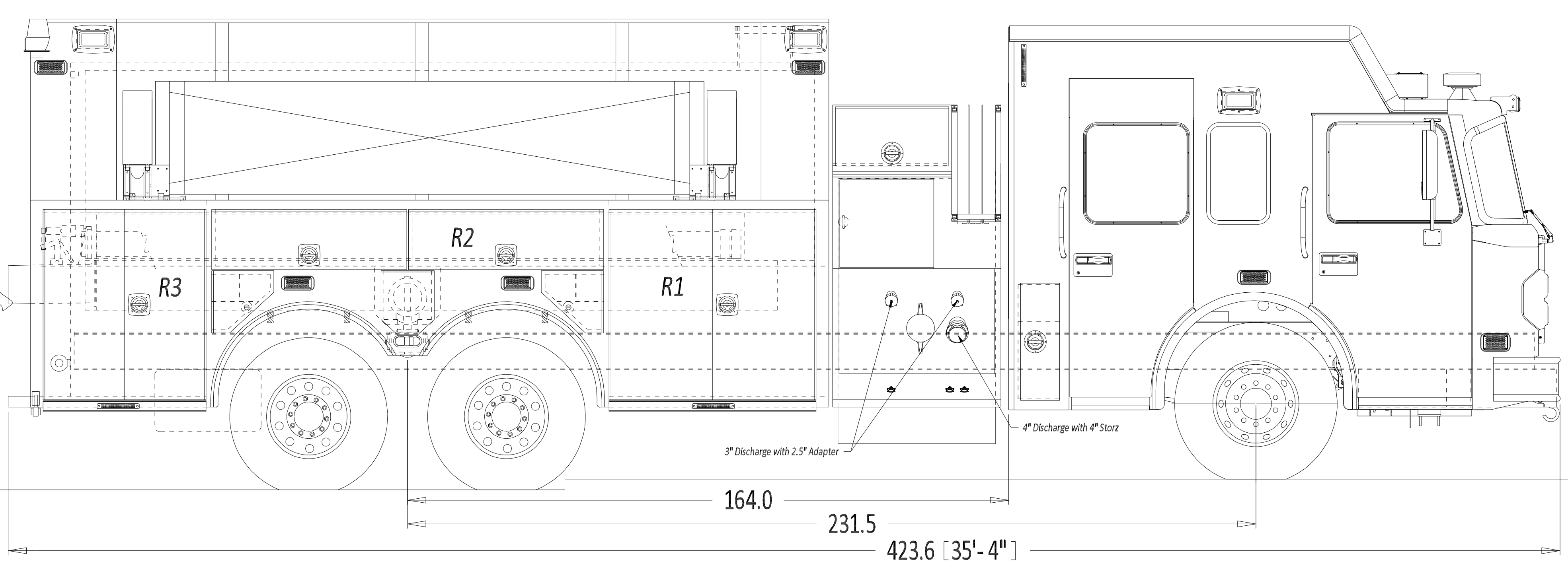
159°

Tank fill w/ Fireman's Friend and 4" Storz

4" Suction/Discharge w/ 5" Storz

100.0

103.0



3" Discharge with 2.5" Adapter

4" Discharge with 4" Storz

164.0

231.5

423.6 [35'-4"]

CAB AND CHASSIS	
TYPE:	Spartan Gladiator LFD w/ 10" Raised Roof
WR:	164"
CR:	231.5"
AXLE RATINGS:	23,00 / 48,000
EQUIPMENT	
PUMP (MAKE/MODEL):	Waterous CSUC2C - 1500 GPM
TANK (SIZE/MAKE):	3000 Gallon UPF Poly
GENERATOR (SIZE/MAKE):	3000w Inverter

COMPARTMENT NO.	DOOR OPENING		COMPARTMENT SIZE		
	H	W	H	D	W
L1	61.5"	56.5"	65"	14/28"	60"
L2	26"	51.25"	28.5"	14"	110"
L3	61.5"	48.5"	65"	14/28"	52"
R1	49"	56.5"	53.5"	14/28"	60"
R2	15.5"	51.25"	18"	14"	110"
R3	49"	48.5"	53.5"	14/28"	52"
Hose Bed	L	W	D		
	207"	72"	12"		

FOUR GUYS
 FOUR GUYS, INC. FIRE APPARATUS MEYERSDALE, PENNSYLVANIA
 PO BOX 90 RD3 INDUSTRIAL PARK ROAD MEYERSDALE, PENNSYLVANIA 15552-0090 (814) 634-8373 FAX (814) 634-0076

Union Bridge FC

TITLE: _____
 DRAWING: Mark Brenneman DATE: December 22, 2014
 SPEC: October 23, 2014 SCALE: _____
 APPARATUS NO: _____ DRAWING NO: Version #5 (3000)
 MODEL: _____ SHEET: _____
 DO NOT SCALE DRAWING. ALL DIMENSIONS SHOWN ARE SUBJECT TO ENGINEERING CHANGES DUE TO VARIATIONS IN CHASSIS DIMENSIONS. THIS DRAWING AND THE DATA SHOWN HEREON CONSTITUTE AND SHALL NOT BE DISCLOSED TO OTHERS, OR REPRODUCED FOR ANY PURPOSE WITHOUT THE WRITTEN CONSENT TO THE USE OF SUCH DRAWING OR DATA FROM FOUR GUYS, INC. IT IS LOANED, SUBJECT TO RETURN UPON DEMAND. BLUEPRINT DOES NOT NECESSARILY SHOW ALL ITEMS THAT ARE INCLUDED IN THE SPECIFICATIONS.